

# Hall Pyke



**Dust Filter Cartridges**

# **Thread Cartridge**

**The SMART choice for filtration**

# THREAD CARTRIDGE

## OPEN/CLOSED

**TYPE CRD**  
Straps available

### DIRTY SIDE REMOVAL

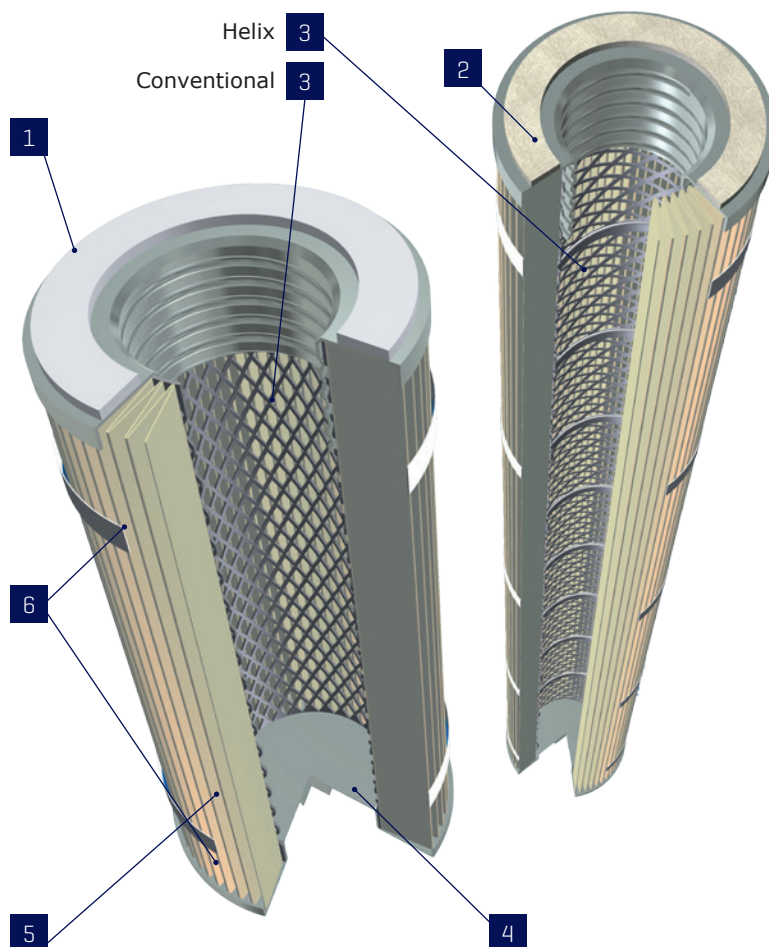
- > Filter cartridge for dust applications
- > Can be equipped with Nordic Air Filtration's media selection. See our separate filter media guide
- > Gasket: Needle felt or neoprene
- > Inner mesh according to application
- > Optional: Electrostatic conductive enhancement for ATEX environment

### PART NUMBER

Example:

**CRD XXX XXXX XXX XX W**

cartridge type	┌
number/diameter of flange. mm	└┬┘
height of filter. mm	└┬┘┬┘
type of filter media	└┬┘┬┘┬┘
filter media area. m <sup>2</sup>	└┬┘┬┘┬┘┬┘
technology notes (optional)	└┬┘┬┘┬┘┬┘┬┘



- 1 TOP CAP**  
Standard: Galvanized  
Alternative: Stainless steel
- 2 GASKET**  
Standard: Needle felt  
Alternative: Neoprene
- 3 INNER MESH**  
Standard: Galvanized  
Alternative: Stainless mesh or galvanized Helix mesh
- 4 CLOSED BOTTOM CAP**  
Standard: Galvanized  
Alternative: Stainless
- 5 FILTER MEDIA**  
Can be equipped with Nordic Air Filtration's filter media selection.
- 6 OUTSIDE STRAP**  
Optional: Glued or Ultrasonic welding

Errors and omissions excepted

Revised: April 2016

# THREAD CARTRIDGE

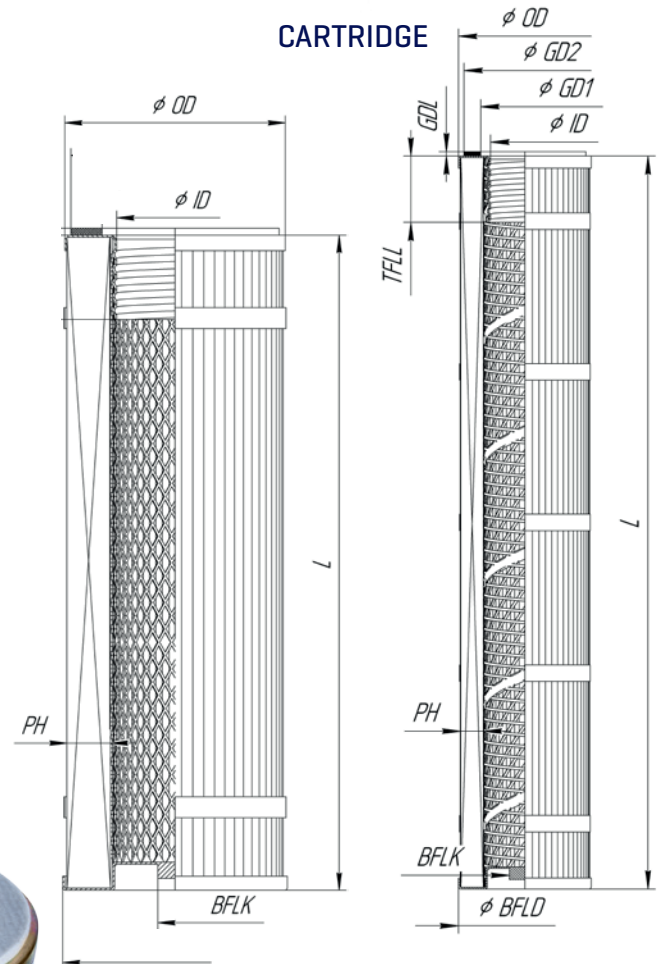
OPEN/CLOSED

**TYPE CRD**  
Straps available

## DESIGN & DIMENSIONS



Accessories:  
Male end caps



Specifications		Standard dimensions					
		CRD161		CRD72		CRD60	
		mm	Inches	mm	Inches	mm	Inches
Top cap outer diameter	OD	162	6.38	120	4.72	115	4.53
Top cap inner diameter	ID	90	3.54	68	2.68	54	2.13
Pleat height	PH	26	1.02	16	0.36	22	0.87
Bottom cap with nut outer diameter		162	6.38	120	4.72	115	4.53
Nut diameter	BFLK	81	3.19	70	2.76	65	2.56
Cartridge length	L	From: 200 to 2000 mm / 7.87 to 78.74 inches					

\* Available with galvanized Helix inner mesh  
Customized dimensions available.

# Hall Pyke



[www.hallpyke.ie](http://www.hallpyke.ie)

Head Office, 3A Sunbury Industrial Estate, Ballymount Road, Walkinstown, Dublin 12.  
T. +353-1-4501411 F. +353-1-4507960 E. [info@hallpyke.ie](mailto:info@hallpyke.ie) W. [www.hallpyke.ie](http://www.hallpyke.ie)