

Hall Pyke



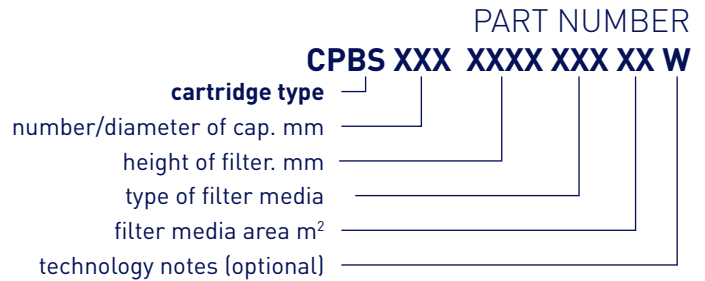
Dust Filter Cartridges

Steel Top Loader

The SMART choice for filtration

Steel Top Loader

High temp. pleated bag cartridge - open/closed



01

Top cap

- Standard: Galvanized steel
- Alternative: Stainless steel

02

Snap ring

- Standard: Needle Felt

03

Inner mesh

- Standard: Galvanized steel
- Alternative: Stainless steel

04

Filter media

- Can be equipped with Nordic Air Filtration's filter media selection.

05

Outside straps

- Optional: High temperature ryton

06

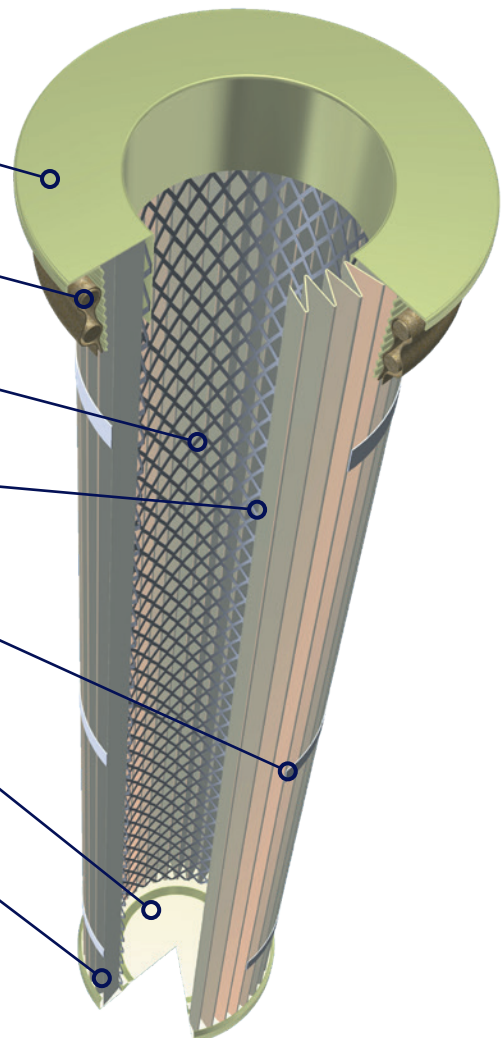
Bottom cap

- Standard: Galvanized steel
- Alternative: Stainless steel

07

Potting compound ➤ High temperature polyurethane

Mounting instruction on the last page



Steel Top Loader

High temp. pleated bag cartridge - open/closed

- A** top cap outer diameter
- A1** top cap height total
- A2** top cap thickness
- B** top cap inner diameter
- C** length
- D** bottom endcap outer diameter
- E** collar outer diameter top
- E1** collar outer diameter bottom
- F** pleat height
- ∅ hole plate diameter

PART NUMBER
CPBS XXX XXXX XXX XX W

Dimensions (mm)	A	A1	A2	B	C	D	E	E1	F	∅*
CPBS120	140	50	5	60	500- 2000	106	106	101	14	127-129
CPBS130	160	50	5	80		122	126	121	16	130-147
CPBS140	170	50	5	85		138	138	133	18	148-156
CPBS150	180	50	5	100		144	151	145	16/18	157-162
CPBS151	180	50	5	88		144	151	145	24	157-162
CPBS160	190	50	5	100		148	154	148	18	163-170
CPBS161	190	50	5	88		148	154	148	26	163-170

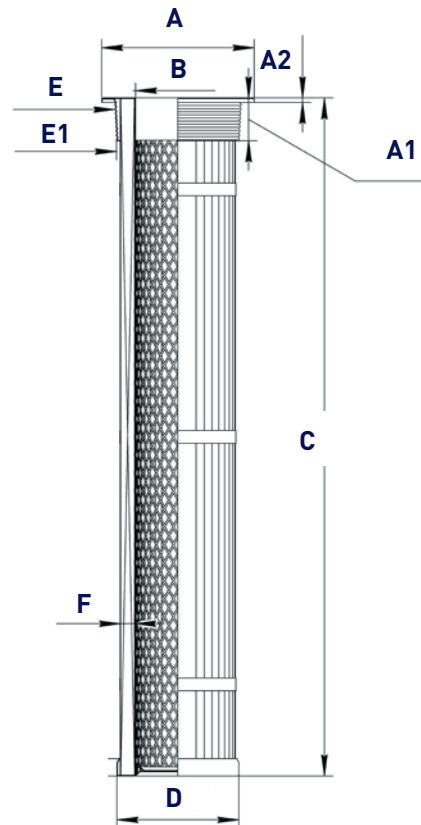
* Fit to the mentioned hole sizes depends on choice of snap rings, please contact sales for further information



SNAP RING



Available for tube sheet sizes from 127-170 mm



Please notice:

Customized dimensions available.
Technical data is subject to change without notice.

Hall Pyke



www.hallpyke.ie

Head Office, 3A Sunbury Industrial Estate, Ballymount Road, Walkinstown, Dublin 12.
T. +353-1-4501411 F. +353-1-4507960 E. info@hallpyke.ie W. www.hallpyke.ie