

Hall Pyke



Dust Filter Cartridges

CDP 480

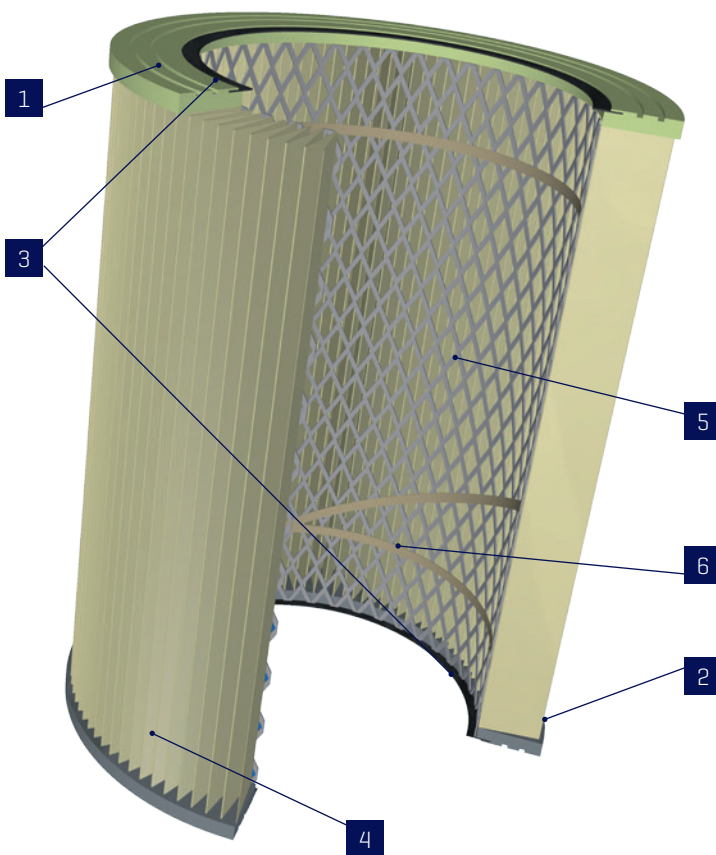
The SMART choice for filtration

CDP 480

TYPE **CDP**
Version: 480

CARTRIDGE FOR FUME EXTRACTION

- > Filter cartridge for dust applications
- > Integrated gasket



1 **TOP CAP**
Molded polyurethane (PU) - hard

2 **BOTTOM CAP**
Molded polyurethane (PU) - hard

3 **GASKET**
EPDM

4 **FILTER MEDIA**
Cellulose.

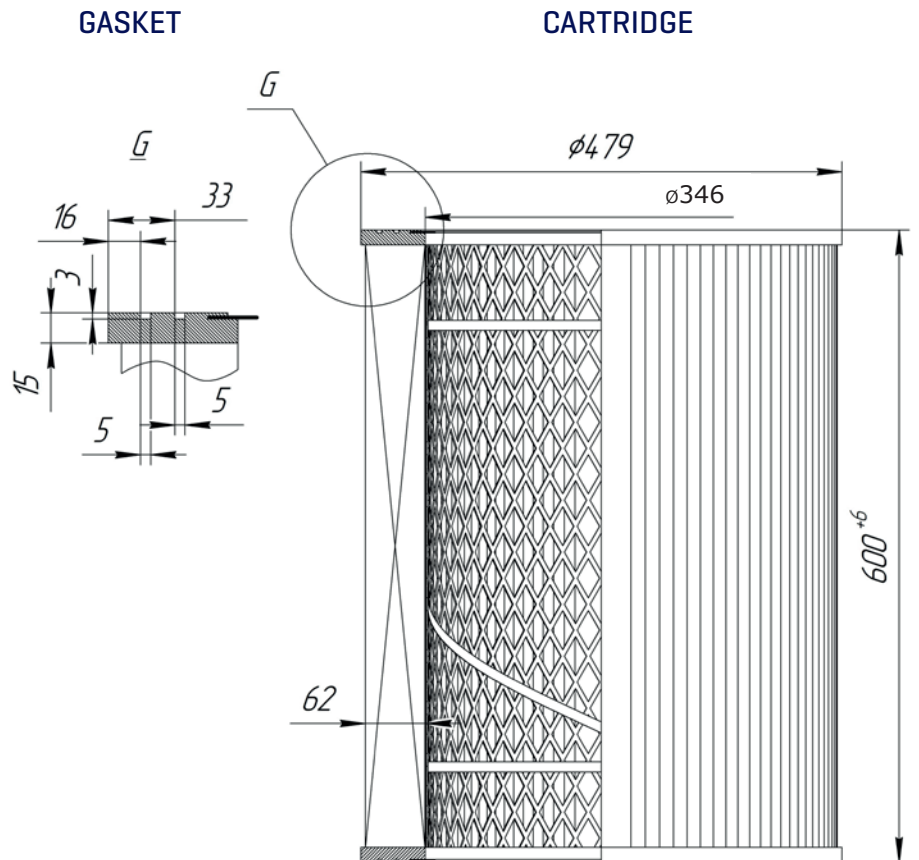
5 **INNER MESH**
Galvanized steel

6 **INNER GLUE**

CDP 480

TYPE **CDP**
Version: 480

DESIGN & DIMENSIONS



Specifications	Standard dimensions		
		mm	Inches
Top cap outer diameter	OD	479	18.86
Top cap inner diameter	ID1	346	13.62
Bottom cap outer diameter	BFLD	479	18.86
Pleat height	PH	62	2.44
Cartridge length	L	600	23.62

Hall Pyke



www.hallpyke.ie

Head Office, 3A Sunbury Industrial Estate, Ballymount Road, Walkinstown, Dublin 12.
T. +353-1-4501411 F. +353-1-4507960 E. info@hallpyke.ie W. www.hallpyke.ie