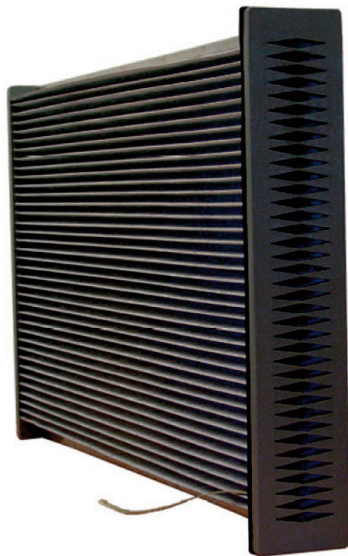


Hall Pyke



Dust Filter Cartridges

Flat Cell Panel Filter

The SMART choice for filtration

FLAT CELL FILTER

TYPE **CPC**
Version 498

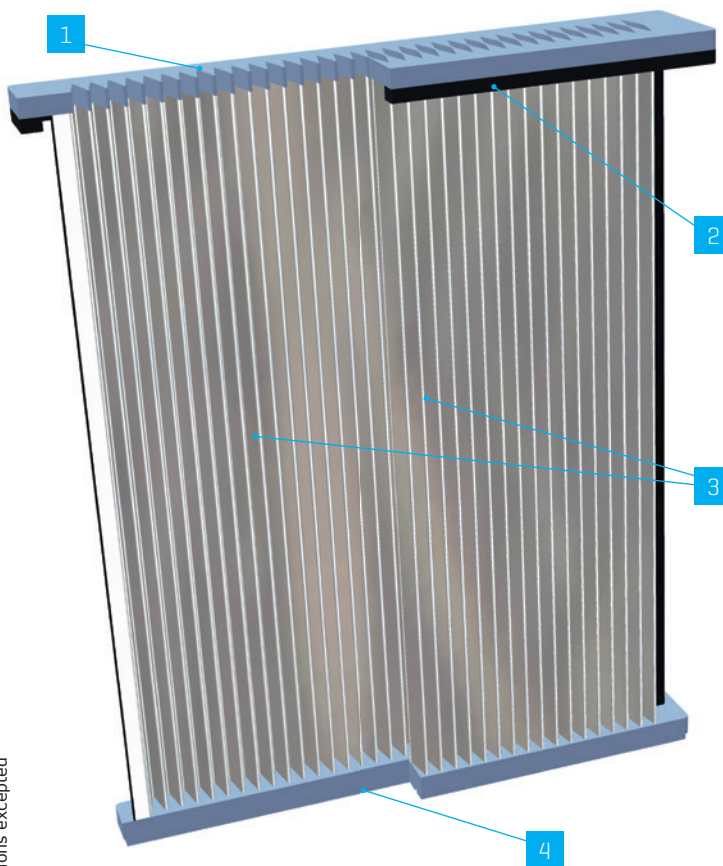
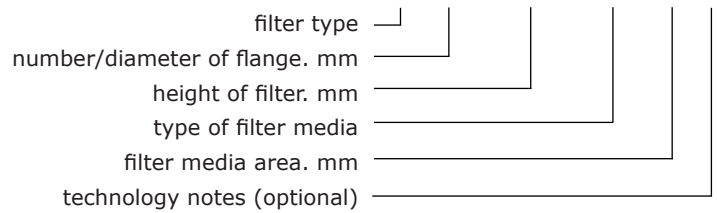
CLEAN SIDE REMOVAL

- > Filter for dust applications
- > Can be equipped with Nordic Air Filtration and TDC/Midwesco Filter Resources media selection.
See our separate filter media guide
- > EPDM gasket
- > Optional: Electrostatic conductive enhancement for ATEX environments

PART NUMBER

Example:

CPC XXX XXXX XXX XX W



1

TOP CAP

Standard: Molded polyurethane (PU) – hard
Alternative: Molded polyurethane (PU) – soft

2

GASKET

EPDM

3

FILTER MEDIA

Can be equipped with Nordic Air Filtration and TDC/Midwesco Filter Resources media selection.

4

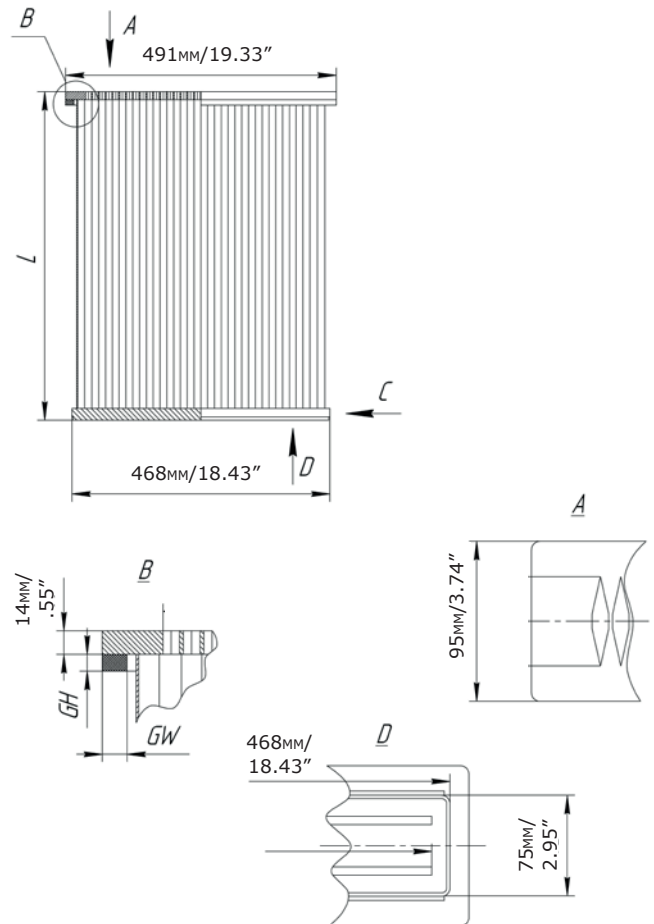
CLOSED BOTTOM CAP

Standard: Molded polyurethane (PU)
– hard
Alternative: Molded polyurethane (PU)
– soft

FLAT CELL FILTER

TYPE **CPC**
Version 498

DESIGN & DIMENSIONS



Specifications	Standard dimensions	
	mm	inch
Top cap length	491	19.33
Top cap - width	95	3.74
Pleat height	35	1.38
Bottom end cap length	468	18.43
Bottom end cap width	75	2.95
Filter length	400 - 1500	15.75-59.00

Hall Pyke



www.hallpyke.ie

Head Office, 3A Sunbury Industrial Estate, Ballymount Road, Walkinstown, Dublin 12.
T. +353-1-4501411 F. +353-1-4507960 E. info@hallpyke.ie W. www.hallpyke.ie