

Hall Pyke



Filter Housings

Sanitary gas

The SMART choice for filtration

APPLICATIONS

Pressurized Air
 Technical Gases
 Steam

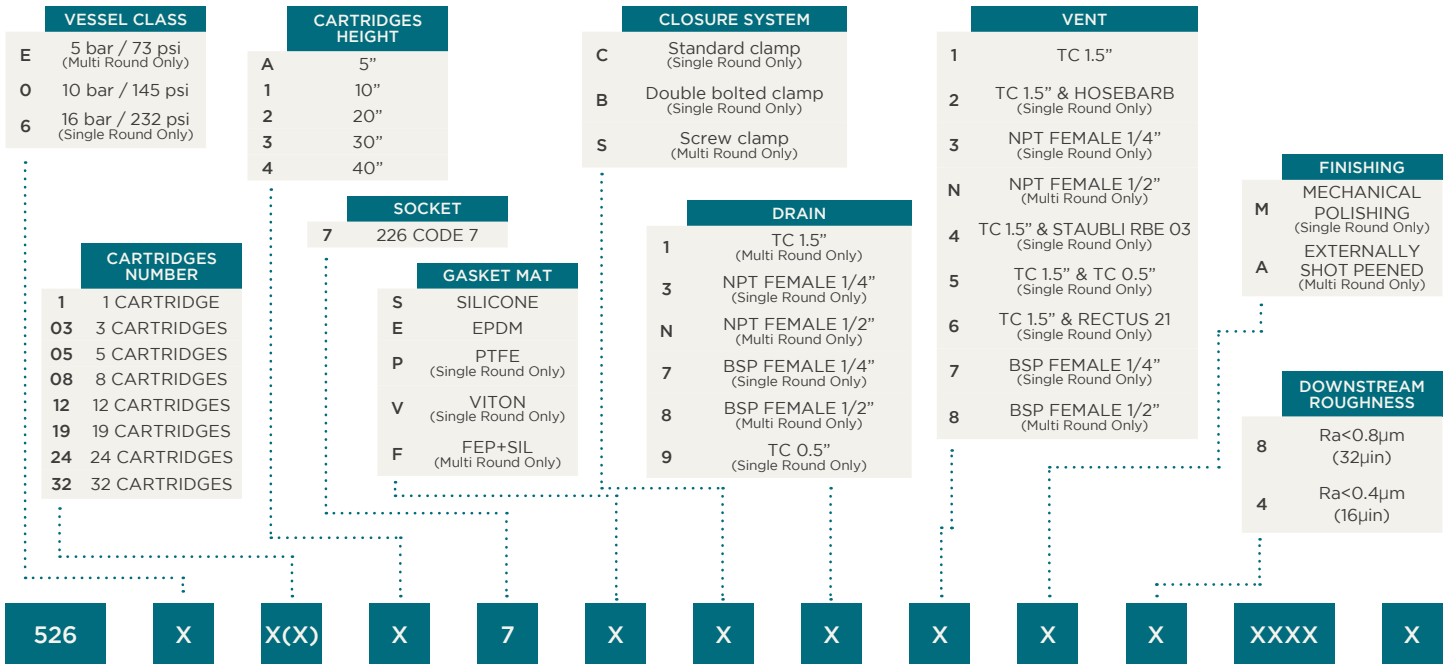


FEATURES & BENEFITS

Single and Multi Round T-Style filter housings with condensate chamber for sanitary applications up to 16 bar (232 psi).

- Full range from 1 to 32 cartridges, from 5" to 40", with different connections
- Laser etched customizable logo
- Suitable for SIP and CIP
- Materials full traceability
- 316L/1.4404 Stainless Steel ensures corrosion resistance and durability
- Automated Welding Processes to guarantee consistent quality and accuracy
- Designed according to Pressure Equipment Directive (PED)
- ATEX Compliance
- Food Grade Compliance: CE 1935/2004
- Gasket Materials: FDA and USP Class VI
- Proprietary closure systems simplify operations
- Customizable with optional accessories
- User-manual and declaration of conformity included
- Certificates: 3.1 EN 10204

SELECTION CRITERIA



CONNECTIONS	AVAILABLE FOR FILTER HOUSING
BUTT WELD ASME BPE	
W025 Ø25.4 x 1.65	1
W038 Ø38.1 x 1.65	1
W051 Ø50.8 x 1.65	1
BUTT WELD ISO 1127-1	
W088 Ø88.9 x 3.00	03
W114 Ø114.3 x 3.00	05
W168 Ø168.3 x 3.00	8; 12; 19
W219 Ø219.1 x 4.00	24; 32
BSP FEMALE	
B010 1.0"	1
B015 1.5"	1
B020 2.0"	1
NPT FEMALE	
N015 1.5"	1
N020 2.0"	1

FLANGES ASME CI 150 (ONLY 10 BAR)		
A150	1.5"	1
A200	2.0"	1
FLANGES EN1092-1 PN16 (ONLY 10 BAR)		
E025	DN 25	1
E032	DN 32	1
E040	DN 40	1
E080	DN 80	03
E100	DN 100	05
E150	DN 150	08; 12; 19
E200	DN 200	24; 32
FLANGES ASME CI 300 (ONLY 16 BAR)		
G150	1.5"	1
G200	2.0"	1
FLANGES EN1092-1 PN25 (ONLY 16 BAR)		
H025	DN 25	1
H032	DN 32	1
H040	DN 40	1

DIN 11851		
D025	DN 25	1
D040	DN 40	1
D050	DN 50	1
CLAMP ASME BPE		
T010	1.0"	1
T015	1.5"	1
T020	2.0"	1

SPECIAL FEATURE	
O	NONE
P	PLUGS
L	LIFTING LUGS (Multi Round Only)
H	STEAM HEATING JACKET

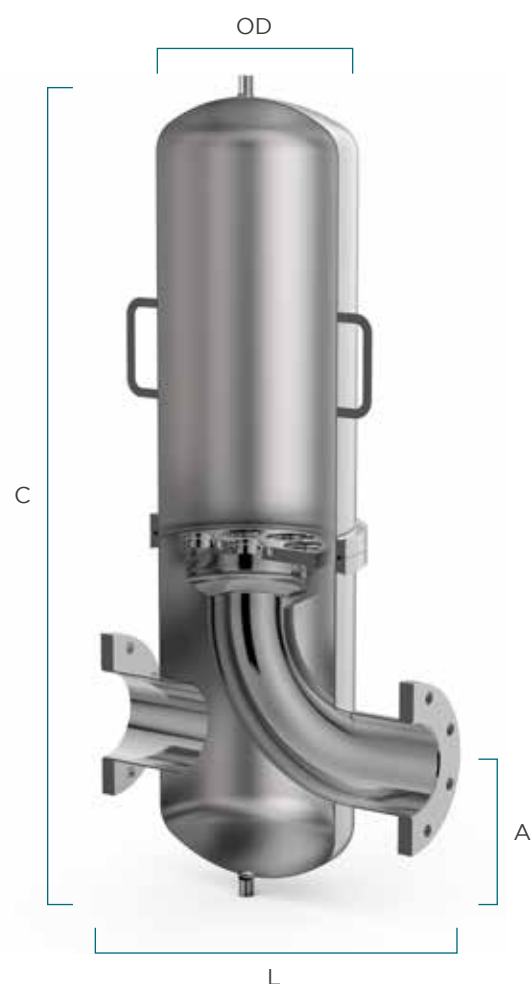
More options available on request.

SPECIFICATIONS

Dimensions are for standard housings with TC 1.5" connections (Single Round) and Flange connections (Multi Round) only. More options available on request. All dimensions are in mm (inches).

No Cartridges	Cartridges Height	A	L	C	OD
1	5"	99 (3.9)	137 (5.39)	400 (15.75)	88.9 (3.5)
1	10"	99 (3.9)	137 (5.39)	520 (20.47)	88.9 (3.5)
1	20"	99 (3.9)	137 (5.39)	770 (30.31)	88.9 (3.5)
1	30"	99 (3.9)	137 (5.39)	1020 (40.16)	88.9 (3.5)
1	40"	99 (3.9)	137 (5.39)	1270 (50)	88.9 (3.5)
3	10"	209 (8.23)	454 (17.87)	777 (30.59)	219 (8.62)
3	20"	209 (8.23)	454 (17.87)	1027 (40.43)	219 (8.62)
3	30"	209 (8.23)	454 (17.87)	1277 (50.28)	219 (8.62)
3	40"	209 (8.23)	454 (17.87)	1527 (60.12)	219 (8.62)
5	30"	235 (9.25)	505 (19.88)	1361 (53.58)	273 (10.75)
5	40"	235 (9.25)	505 (19.88)	1611 (63.43)	273 (10.75)
8	30"	283 (11.14)	581 (22.87)	2005 (78.94)	320 (12.6)
8	40"	283 (11.14)	581 (22.87)	2255 (88.78)	320 (12.6)
12	30"	345 (13.58)	659 (25.94)	1644 (64.72)	400 (15.75)
12	40"	345 (13.58)	659 (25.94)	1894 (74.57)	400 (15.75)
19	30"	355 (13.98)	709 (27.91)	1704 (67.09)	450 (17.72)
19	40"	355 (13.98)	709 (27.91)	1954 (76.93)	450 (17.72)
24	30"	391 (15.39)	773 (30.43)	1732 (68.19)	500 (19.69)
24	40"	391 (15.39)	773 (30.43)	1982 (78.03)	500 (19.69)
32	30"	386 (15.2)	823 (32.4)	1740 (68.5)	550 (21.65)
32	40"	386 (15.2)	823 (32.4)	1990 (78.35)	550 (21.65)

Materials of Constructions (Wetted Parts)	316L / 1.4404
No. Of Cartridges	1, 3, 5, 8, 12, 19, 24, 32
Cartridge Socket	226 CODE 7
In/Out Connections	Clamp ASME BPE, DIN 11851, Butt Weld, ASME and EN Flanges, BSP, NPT
Drains and Vent	Clamp ASME BPE, BSP, NPT
Lateral Port	Clamp ASME BPE, HOSEBARB; STAU-BLI RBE 3, RECTUS 21
Pressure (PS) min-max	-1÷16 bar (-14÷232 psi)
Temperature (TS) min-max	-20°÷150°C (-4°÷302°F)
External Surface	Single Round: Mirror Polished Multi Round: Shot Peened
Internal Surface	Single Round: Mechanical Polishing Multi Round: Upstream Pickled and Downstream Mechanical Polishing
Downstream Roughness	Ra<0.8µm (Ra<32µin) Ra<0.4µm (Ra<16µin)
ATEX	Compliant with EU Directive
PED 2014/68/EU	Gas, PED Fluid Group 2
Design Code	EN 13445
Housing and Gasket Materials	EU 1935/2004 - FDA - USP VI



ACCESSORIES

Full list of accessories and spare parts available on request.

ACCESSORIES VENT AND DRAIN BSP VERSION

VENT BSPM BALL VALVE



VENT TC VALVE + CLAMP



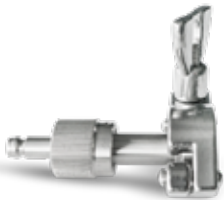
BALL VALVE HOSE ADAPTER



BALL VALVE TC + CLAMP



SAMPLING TEST TC + CLAMP



PRESSURE GAUGE BSPM



Hall Pyke



www.hallpyke.ie

Head Office, 3A Sunbury Industrial Estate, Ballymount Road, Walkinstown, Dublin 12.
T. +353-1-4501411 F. +353-1-4507960 E. info@hallpyke.ie W. www.hallpyke.ie