

# Hall Pyke



**Filter Housings**

## **Lenticular liquid**

**The SMART choice for filtration**

## APPLICATIONS

- Wine
- Beer
- Bottled water
- Soft drinks

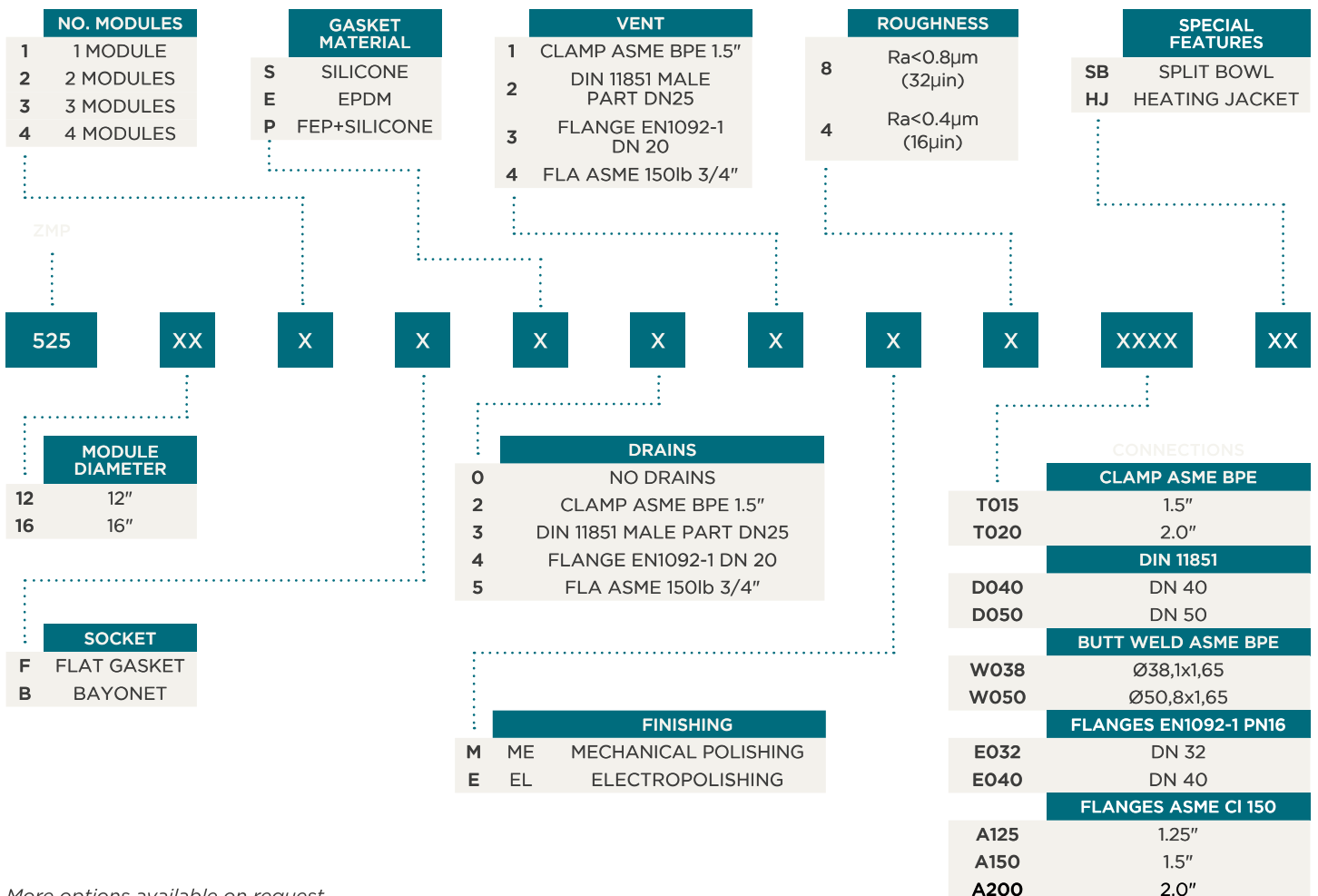


## FEATURES & BENEFITS

T-Style lenticular filter housings, designed to enhance drainability for sanitary applications

- Full range from 1 to 4 modules, 12" and 16" diameter, with different sockets and connections
- Laser etched customizable logo
- Materials full traceability
- 316L/1.4404 Stainless Steel ensures corrosion resistance and durability
- Automated Welding Processes to guarantee consistent quality and accuracy
- Suitable for SIP and CIP
- Split bowl and Heating Jacket available
- High precision module tightening nut system
- Designed according to Pressure Equipment Directive (PED)
- ATEX Compliance
- Food Grade Compliance: CE 1935/2004
- Gasket Materials: FDA and USP Class VI
- Proprietary closure system simplifies operations
- Customizable with optional accessories
- Available on filtration skirts
- User-manual and declaration of conformity included
- Certificates: 3.1 EN 10204

## SELECTION CRITERIA

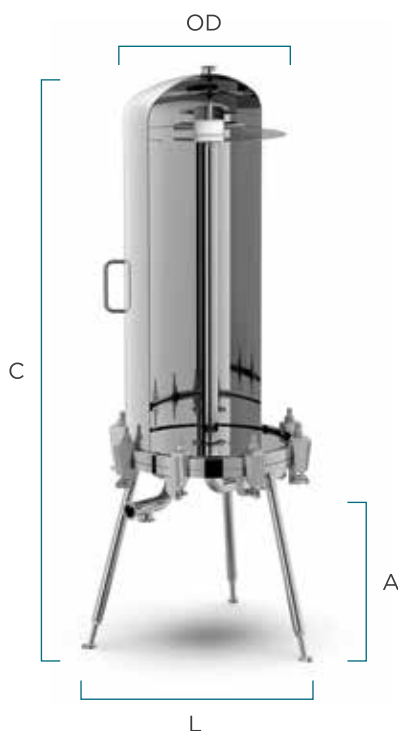


More options available on request.

## SPECIFICATIONS

Dimensions are for standard housings with TC 1.5" connections and drains only. More options available on request. All dimensions are in mm (inches).

Diameter	No. Modules	A	L	C	OD
12"	1	373 (14.69)	505 (19.88)	970 (38.19)	320 (12.6)
12"	2	373 (14.69)	505 (19.88)	1240 (48.82)	320 (12.6)
12"	3	373 (14.69)	505 (19.88)	1520 (59.84)	320 (12.6)
12"	4	373 (14.69)	505 (19.88)	1820 (71.65)	320 (12.6)
16"	1	373 (14.69)	611 (24.06)	970 (38.19)	450 (17.72)
16"	2	373 (14.69)	611 (24.06)	1240 (48.82)	450 (17.72)
16"	3	373 (14.69)	611 (24.06)	1520 (59.84)	450 (17.72)
16"	4	373 (14.69)	611 (24.06)	1820 (71.65)	450 (17.72)



<b>Materials of Constructions (Wetted Parts)</b>	316L / 1.4404
<b>No. Of Modules</b>	1, 2, 3, 4
<b>Diameter</b>	12", 16"
<b>Socket</b>	Flat Gasket, Bayonet
<b>In/Out Connections</b>	Clamp ASME BPE, DIN 11851, Butt Weld, ASME and EN Flanges
<b>Drains and Vent</b>	Clamp ASME BPE, DIN 11851
<b>Pressure (PS) min-max</b>	-1 ÷ 8 bar (-14 ÷ 116 psi)
<b>Temperature (TS) min-max</b>	-20° ÷ 150°C (-4° ÷ 302° F)
<b>External Surface</b>	Mirror Polished
<b>Internal Surface</b>	Mechanical Polishing to Ra<0.8µm (Ra<32µin) or Ra<0.4µm (Ra<16µin)
<b>ATEX</b>	Compliant with EU Directive
<b>PED 2014/68/EU</b>	Liquid and Gas, PED Fluid Group 2
<b>Design Code</b>	EN 13445
<b>Housing and Gasket Materials</b>	EU 1935/2004 - FDA - USP VI

## ACCESSORIES

Full list of accessories and spare parts available on request.

VENT TC 1.5" VALVE + CLAMP



VENT TC 1.5" SIGHT GLASS 2 SANITARY VALVES + CLAMP



VENT TC 1.5" SIGHT GLASS 2 BALL VALVES + CLAMP



BUTTERFLY VALVE TC + CLAMP



BALL VALVE TC 1.5" + CLAMP



SAMPLING TEST TC 1.5" + CLAMP



# Hall Pyke



[www.hallpyke.ie](http://www.hallpyke.ie)

Head Office, 3A Sunbury Industrial Estate, Ballymount Road, Walkinstown, Dublin 12.  
T. +353-1-4501411 F. +353-1-4507960 E. [info@hallpyke.ie](mailto:info@hallpyke.ie) W. [www.hallpyke.ie](http://www.hallpyke.ie)